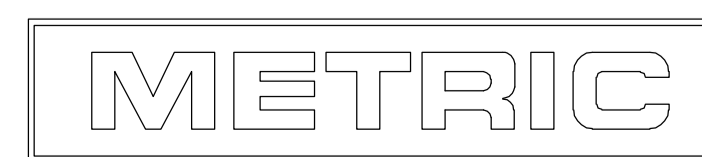
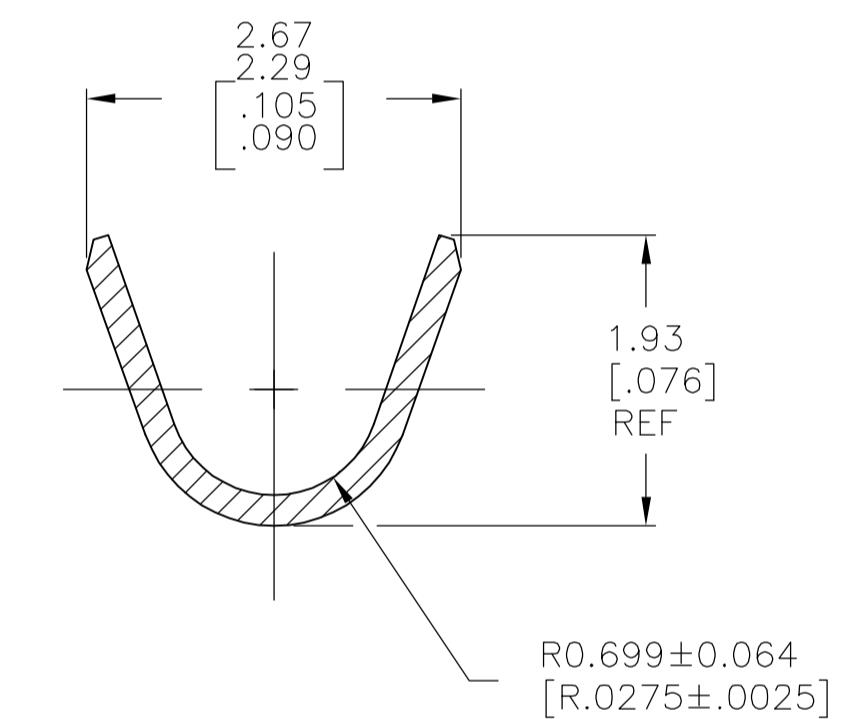
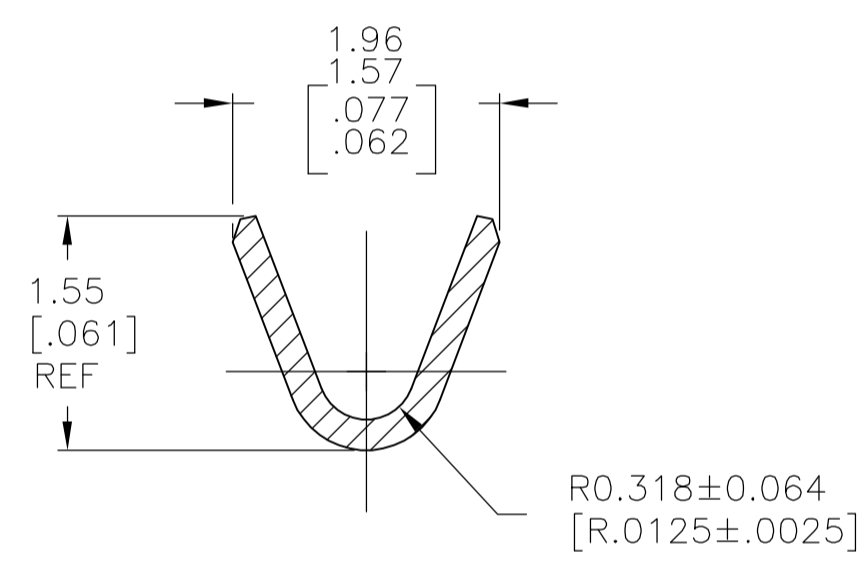
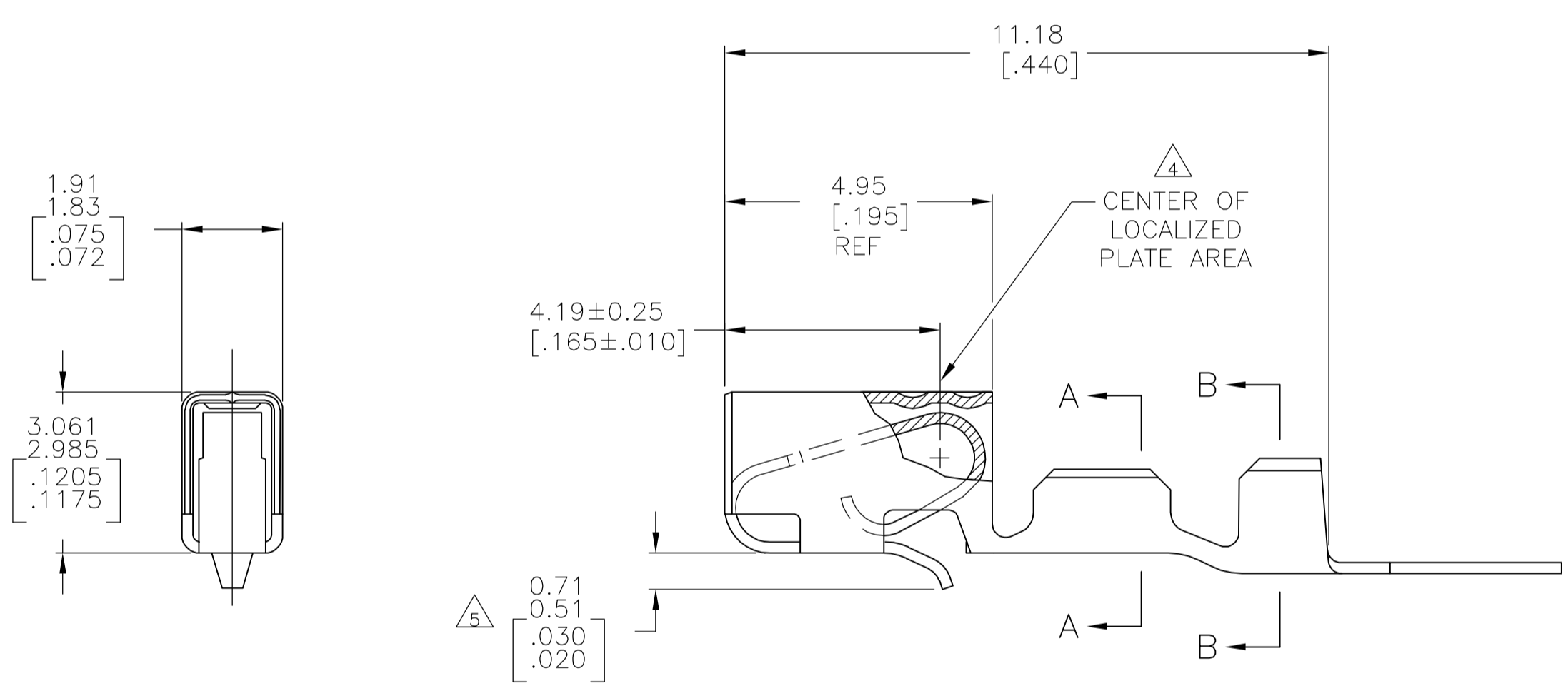


1. WIRE RANGE: 0.13 - 0.35 mm² (26-22 AWG) .
 2. INSULATION RANGE: 0.89 - 1.65 [.035 - .065] DIA. LARGER SIZES OF 1.68 - 1.91 [.066 - .075] DIA INSULATION REQUIRES WIRE AND CRIMP EVALUATION FROM AMP INCORPORATED.
 3. DIMENSIONS IN BRACKETS ARE IN INCHES.
- △ 0.00076 [.000030] MIN THK GOLD STRIPES IN LOCALIZED PLATE AREA ON BEAM AND DIMPLE OVER 0.00127 [.000050] MIN THK NICKEL OVER ENTIRE CONTACT.
 - △ 5 AFTER PACKAGING AND SHIPMENT, A LANCE HEIGHT 0.46 - 0.71 [.018 - .030] IS PERMISSABLE.
 - △ 6 PRE-TIN MAY OR MAY NOT HAVE NICKEL UNDERPLATE.



△ 4	770601-2
PRE-TIN △ 6	770601-1
FINISH	PART NUMBER

THIS DRAWING IS A CONTROLLED DOCUMENT.		DWN	K. WHITAKER	17FEB05	 Tyco Electronics Corporation Harrisburg, Pa 17105-3608
DIMENSIONS: mm [INCHES]		CHK	D. ROSSI	17FEB05	
TOLERANCES UNLESS OTHERWISE SPECIFIED:		APVD	D. ROSSI	17FEB05	NAME
0 PLC	± -	PRODUCT SPEC			RECEPTACLE, CST-100
1 PLC	± -	APPLICATION SPEC			
2 PLC	± -	WEIGHT			
3 PLC	± 0.13 [.005]	SIZE		A1	
4 PLC	± -	DRAWING NO		00779	
ANGLES	± -	CAGE CODE		770601	
FINISH	SEE TABLE	DRAWING NO		770601	
MATERIAL	0.198 PH BRZ	RESTRICTED TO			
CUSTOMER DRAWING		SCALE		10:1	
		SHEET		1 of 1	
		REV			